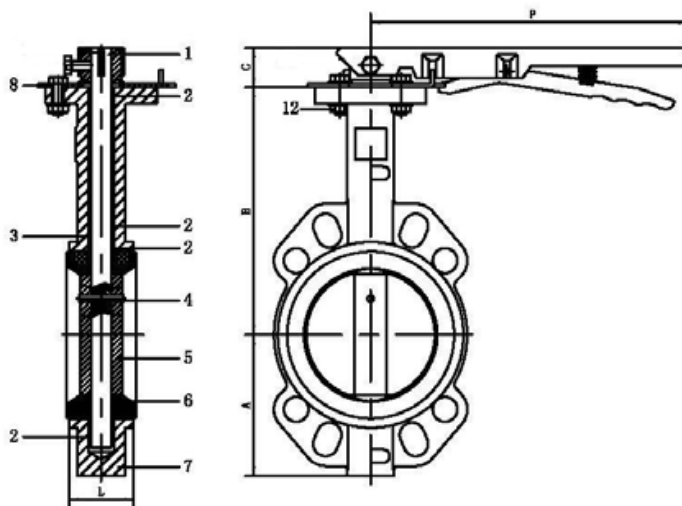


## Butterfly Valve Wafer Lever

### Application:

include HVAC, Water & Wastewater Treatment, Processing, Mining and General Industry.

Pressure Rating: PN 16  
 Thread: Flange: Tapped Metric Course  
 Table E



Item	Description	Material
1	Stem	SS410
2	Bushing	PTFE
3	O-ring	EPDM
4	Taper Pin	SS
5	Disc Seat	CF8
6	Body	EPDM
7		DI
8	Notch Plate & Fasteners	SS

DN	A		C	L	P
50	76	162	32	42	220
65	89	174	32	45	220
80	95	181	32	45	220
100	114	200	32	52	260
125	127	213	32	54	260
150	139	225	32	56	260
200	177	260	38	60	360

Specifications are subject to change without notification.

