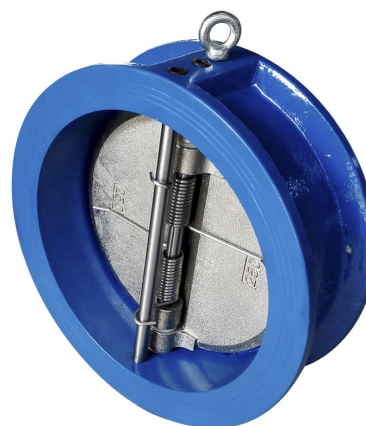
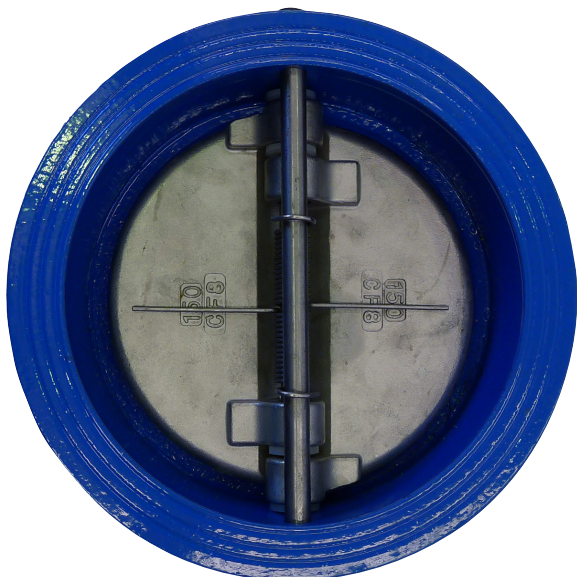


Dual Plate Wafer Type Check Valve

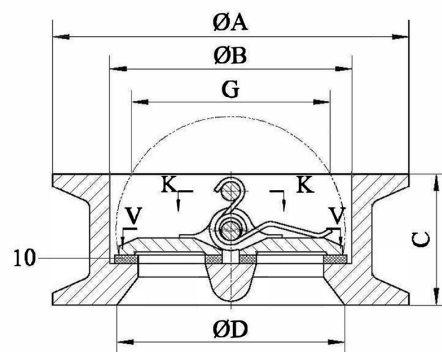
Application:

Suitable for Water. A dual plate wafer check valve is defined as a mechanical device that allows a one directional fluid's flow. Suits AS2129 Table D/E and ANSI 150 Flanges.



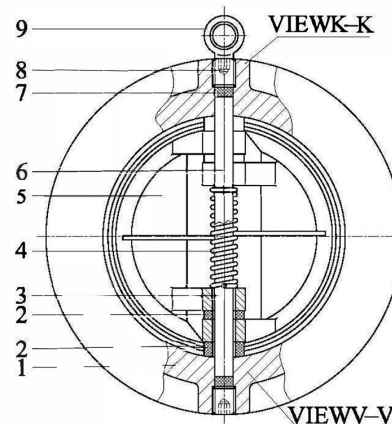
Working pressure	16 Bar
Seat test pressure	18 Bar
Shell test pressure	24 Bar
Test fluid	Water
Temperature range	-10°C to 120°C

Item	Description	Material
1	Lifting eyebolt	Carbon steel
2	Thread plug	Carbon Steel
3	Seal Washer	EPDM
4	Upper Shaft	SS410
5	Disc	CF8
6	Spring	SS304
7	Lower Shaft	SS410
8	Washer	PTFE
9	Body	Epoxy Coated Cast Iron



DN	A	B	C	
50	97	65	43	
65	110	80	46	
80	129	94	64	
100	160	117	64	
125	192	145	70	
150	213	170	76	170
200	270	224	89	222
250	328	265	114	264
300	378	310	114	310

Flange compatible with BS 10 TABLE F/AS 2129 TABLE B.



Specifications are subject to change without notification.