

Gear Operated Lugged Butterfly Valve

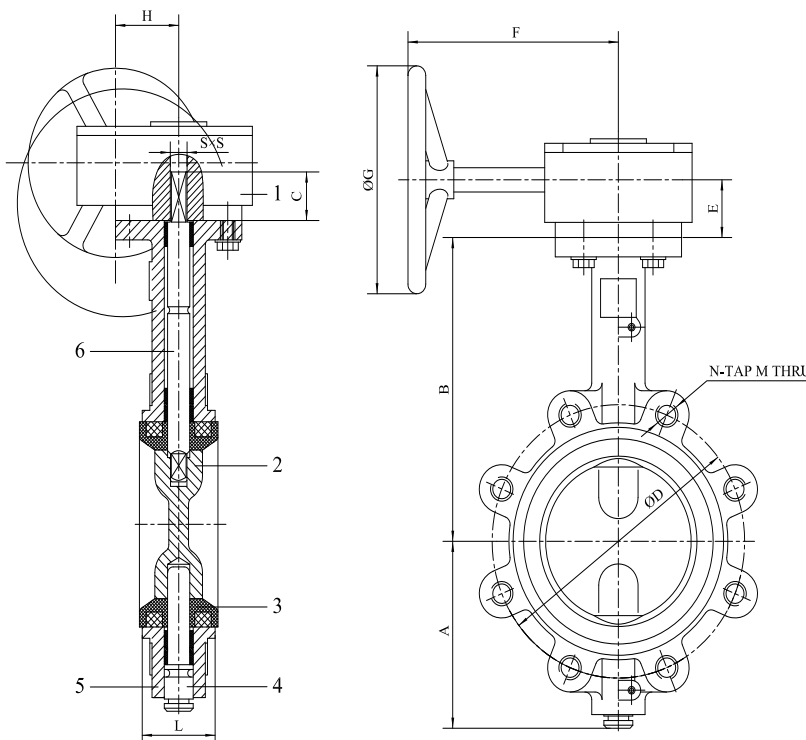
Application:

Potable water service Butterfly Valves with Watermark certification, for on, off and flow control service. Suitable applications would include building services, water and wastewater, general industry, and irrigation water supply.

Technical Parameters:

- Nominal Diameter: DN50~DN150 Lever operated, DN50~DN300 Gear operated
- Pressure Rating: PN16
- Working Temperature: -20°C~+120°C
- Working Medium: Potable Water
- Connection Type: Lugged
- Connection Standard: AS2129 Table E + Table D as options

| Item | Description | Material |
|------|-------------|----------|
| 1 | Gearbox | |
| 2 | Disc | CF8M |
| 3 | Seat | EPDM |
| 4 | Lower Stem | SS316 |
| 5 | Body | DI |
| 6 | Upper Stem | SS316 |



| Size | | A | B | C | AS2129 TABLE-E | | | E | F | G | H | L | S |
|------|------|-----|-----|----|----------------|-----|----|----|-----|-----|----|----|----|
| mm | inch | | | | D | M | N | | | | | | |
| 50 | 2" | 85 | 162 | 32 | 114 | M16 | 4 | 27 | 144 | 138 | 43 | 42 | 11 |
| 65 | 2½" | 98 | 174 | 32 | 127 | M16 | 4 | 27 | 144 | 138 | 43 | 45 | 11 |
| 80 | 3" | 104 | 181 | 32 | 146 | M16 | 4 | 27 | 144 | 138 | 43 | 45 | 11 |
| 100 | 4" | 123 | 200 | 32 | 178 | M16 | 8 | 27 | 144 | 138 | 43 | 52 | 14 |
| 125 | 5" | 136 | 213 | 32 | 210 | M16 | 8 | 27 | 144 | 138 | 43 | 54 | 17 |
| 150 | 6" | 148 | 225 | 32 | 235 | M20 | 8 | 27 | 144 | 138 | 43 | 56 | 17 |
| 200 | 8" | 186 | 260 | 38 | 292 | M20 | 8 | 39 | 208 | 278 | 66 | 60 | 17 |
| 250 | 10" | 212 | 292 | 38 | 356 | M20 | 12 | 39 | 208 | 278 | 66 | 66 | 22 |
| 300 | 12" | 251 | 337 | 38 | 406 | M24 | 12 | 37 | 226 | 278 | 80 | 77 | 22 |

Specifications are subject to change without notification.

