

Wall Mount LED Exit Light

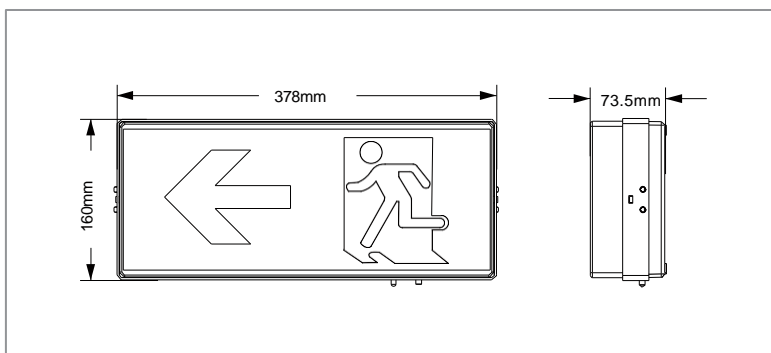
TRADELIKE



FEATURES

- Low power consumption
- 50,000hr LED - energy efficient
- Wall and ceiling mount
- Easy testing and maintenance
- Maintained
 - 3 hour runtime in emergency mode
 - 3 year warranty
 - 2200mAh lithium battery technology
 - Designed and manufactured to AS/NZS2293.3

DIMENSIONS



SPECIFICATIONS

Order Code	EL-WALL-STD
Input Voltage	240v
Construction	Polycarbonate
Mounting	Ceiling and wall
Operating Mode	Maintained
Testing System	Manual
Battery	Lithium2200mAh 3 hour discharge
Classification	C0: D12.5 C90: D8
Viewing Distance	24m
Applicable Standard	AS/NZS2293.3
Lamps	LED 50,000hrs
Operating Temp	1C° to 40C°
Dimensions (mm)	378x160x73.5
Weight	1.56kg